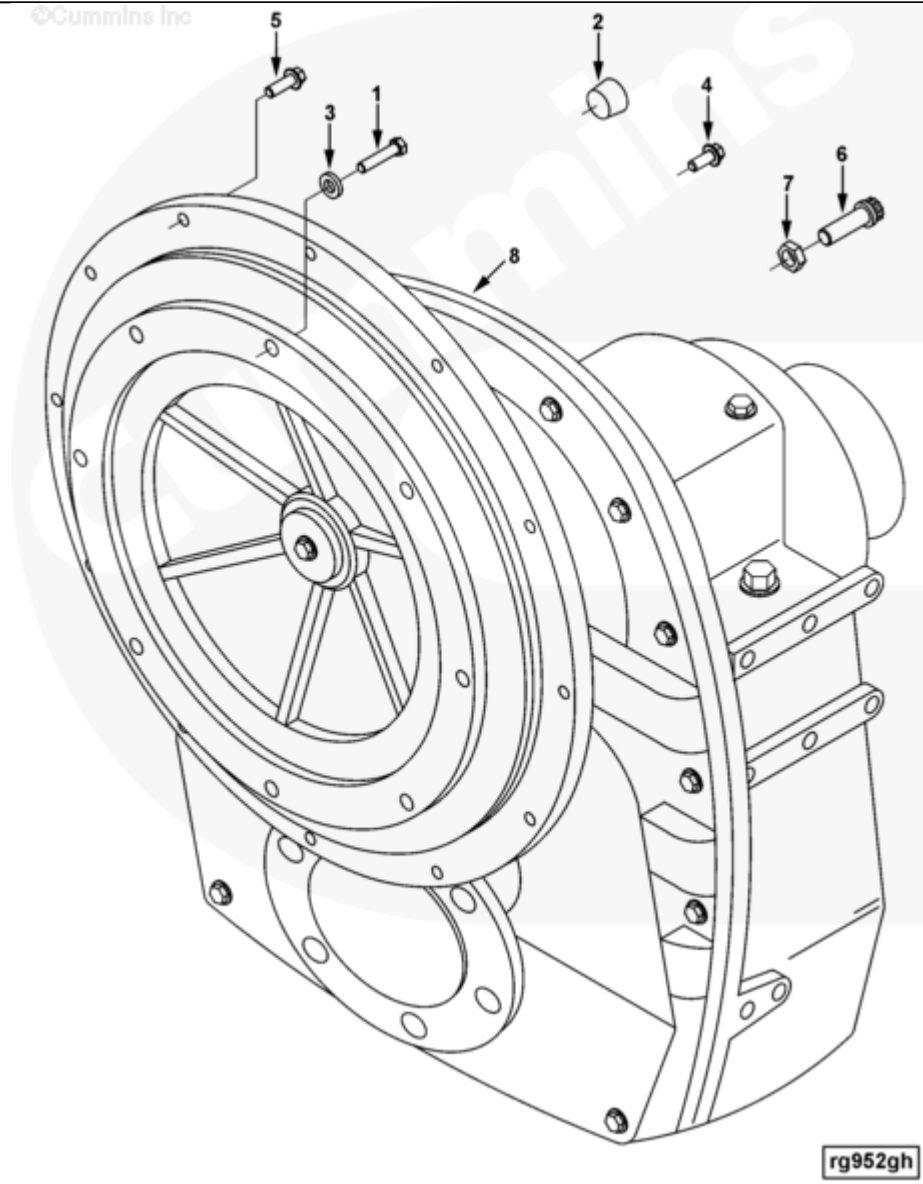




Parts Catalog - Option Detail

Electronic Parts Catalog - Option Detail				
Option	Group	Graphic	Film Card	Date
RG9370-01	16.05	rg952gh	Z	18-JUL-07
Engines	6C8.3, C GAS PLUS CM556, G8.3, G8.3 CM558, GTA8.3 CM558, ISC CM2150, ISC CM554, ISC CM850, ISC8.3 CM2250, ISC8.3 G CM2180 C101, ISL CM2150, ISL CM554, ISL CM850, ISL G CM2180, ISL8.9 CM2150 L110, ISL8.9 CM2880 L112, ISL9 CM2150 SN, ISL9 CM2250, ISL9 CM2350 L101, ISL9 CM2350 L111, ISLE4 CM850, L GAS PLUS CM556, L8.9, L8.9 L121, L8.9G CMOH2.0 L125B, L9 CM2350 L116B, L9 CM2350 L119B, L9 CM2350 L120C, L9 CM2350 L123B, L9.3 L105, L9.5 L117, L9N CM2380 L124B, QSC8.3 CM2250, QSC8.3 CM2880 C102, QSC8.3 CM554, QSC8.3 CM850(CM2850), QSL9 CM2250, QSL9 CM2250 L115, QSL9 CM2350 L102, QSL9 CM2350 L107, QSL9 CM2350 L118, QSL9 CM2350 L122, QSL9 CM554, QSL9 CM850(CM2850), QSL9 G CM558, QSL9 M CM2250 L106, QSL9.3 CM2880 L113			



rg952gh

Cart	Ref No	Part Number	Part Description	Required	Remarks
View My Cart					
		RG9370-01	Marine Gear		MR - GEAR, MARINE...(More)
					Engine Family: C Series
					Component Supplier: Cummins
					Transmission: ZF 286 IV 12V
					Electric Shift
					Marine Gear Ratio: 2.011
					Intended Housing: SAE 3
					Marine Gear Drive Angle
					(deg): 14
					Propeller Rotation: Both
					Directions
					Marine Gear Drive Flange:
					121mm BCD - 6 x 16.3mm
					Prop Shaft Bolts Included:
					Yes
					Unique Characteristics:
					- Torsional Coupling Included
					- 12V Electric Shift Control
<input type="checkbox"/>	1	S 120	Hexagon Head Cap Screw	8	3/8 - 16 X 1 3/4 in.
<input type="checkbox"/>	2	103307	Pipe Plug	1	3/4 NPT
<input type="checkbox"/>	3	554802	Plain Washer	8	3/8 in.
<input type="checkbox"/>	4	3902460	Hexagon Flange Head Cap Screw	2	M10 X 1.50 X 25.
<input type="checkbox"/>	5	3903112	Hexagon Flange Head Cap Screw	10	M10 X 1.50 X 30.
<input type="checkbox"/>	6	4069884	Twelve Point Cap Screw	6	5/8 - 18 x 2 in.
<input type="checkbox"/>	7	4069885	Lock Nut	6	5/8 - 18 Thread
<input type="checkbox"/>	8	4945524	Marine Gear	1	

